

1112
1812

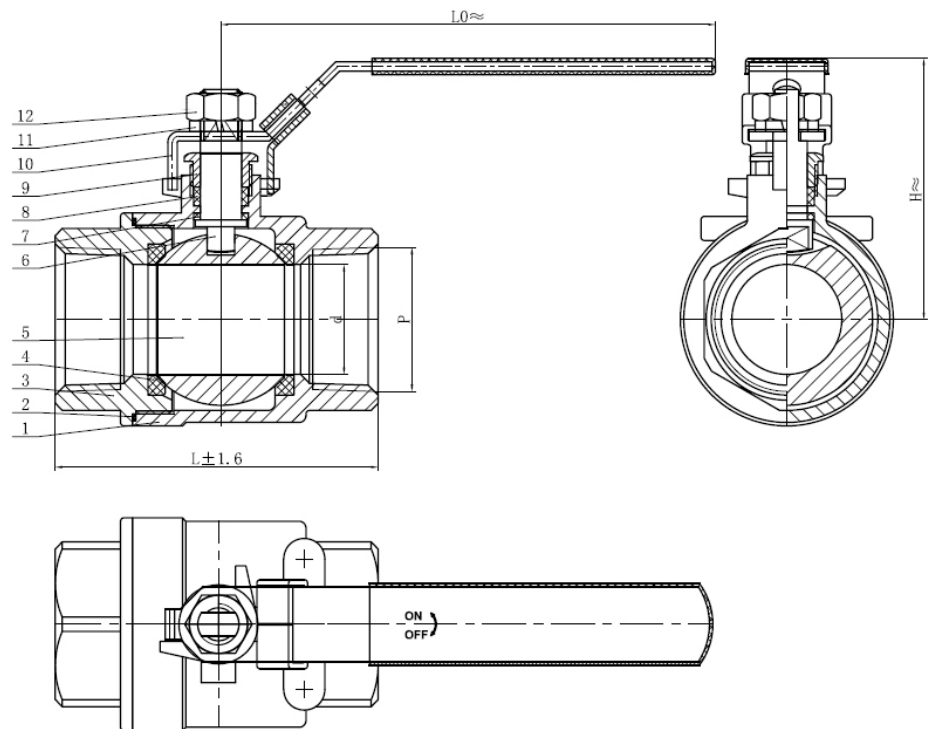
VÁLVULA DE BOLA 2 PIEZAS, PASO TOTAL ROSCA BSP/NPT

- Cuerpo y bola acero inoxidable AISI-316
- Asientos en PTFE + 15% FV PN63
- Tórica eje: Vítón
- Temperatura de trabajo: -20°C / 180°C

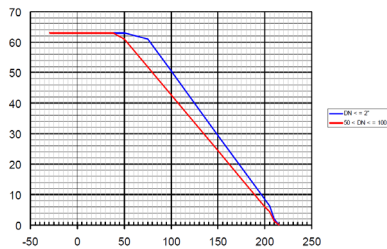


VÁLVULA DE BOLA 2 PIEZAS, PASO TOTAL ROSCA NPT BALL VALVE 2 PIECES NPT THREADED END FULL BORE

| | | |
|----|---------------|-------|
| 12 | Tuerca | A2-70 |
| 11 | Arandela | A2-70 |
| 10 | Manguito | SS |
| 9 | Prensaetopa | SS |
| 8 | Empaquetadura | PTFE |
| 7 | Junta | PTFE |
| 6 | Vástago | 316 |
| 5 | Esfera | 316 |
| 4 | Asiento | PTFE |
| 3 | Tapa | 316 |
| 2 | Junta | PTFE |
| 1 | Cuerpo | 316 |



Curva presión / temperatura:



| Código | DN | " | Φd | L | L0 | H |
|-------------|-----|--------|----|-----|-----|-----|
| 2323KTN2020 | 8 | 1/4" | 11 | 52 | 96 | 51 |
| 2323KTN2021 | 10 | 3/8" | 12 | 52 | 96 | 51 |
| 2323KTN2022 | 15 | 1/2" | 15 | 55 | 98 | 53 |
| 2323KTN2023 | 20 | 3/4" | 20 | 62 | 110 | 60 |
| 2323KTN2024 | 25 | 1" | 25 | 74 | 135 | 66 |
| 2323KTN2025 | 32 | 1 1/4" | 32 | 82 | 142 | 80 |
| 2323KTN2026 | 40 | 1 1/2" | 38 | 91 | 173 | 85 |
| 2323KTN2027 | 50 | 2" | 49 | 105 | 173 | 92 |
| 2323KTN2028 | 65 | 2 1/2" | 65 | 144 | 220 | 125 |
| 2323KTN2029 | 80 | 3" | 78 | 168 | 245 | 135 |
| 2323KTN2030 | 100 | 4" | 98 | 199 | 325 | 163 |