



CE EAC
No. 08190322KTN.UU45

KTN
Kara Technology News®

VÁLVULA DE BOLA, 3 PIEZAS, PASO TOTAL Y BRIDA PARA MONTAJE ACTUADORES

DN 8 - DN 100 | PN63

Cuerpo en acero inoxidable

BALL VALVE, 3 PIECES, FULL BORE AND ACTUATOR MOUNTING PAD

DN 8 - DN 100 | PN63

Stainless steel body



FIG.

1113M

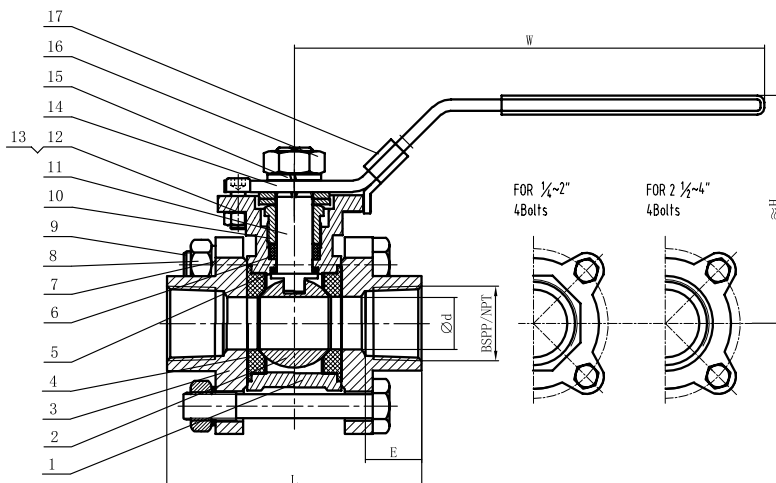
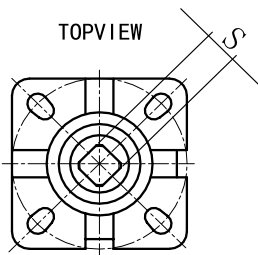
1113M

VÁLVULA DE BOLA, 3 PIEZAS, PASO TOTAL CON BRIDA PARA MONTAJE DE ACTUADORES

BALL VALVE, 3 PIECES, FULL BORE, WITH ACTUATOR MOUNTING PAD

La KTN 1113 M es nuestra válvula de bola de 3 piezas, paso total, rosca bsp y brida para montaje de actuadores. El rango comprende desde 1/4" hasta 22 (pulgadas). Su rango de presión es: PN63. El rango de temperatura de trabajo abarca los -20°C hasta los +180°C. La válvula cuenta con asiento y arandelas de PTFE con un 15% de fibra de vidrio.

The KTN 1113 M is our 3-piece, full bore, bsp threaded, flanged ball valve for actuator mounting. The range is from 1/4" to 2" (inches). Its pressure range is: PN63. The working temperature range covers -20°C to + 180°C. The valve has a 15% fiberglass PTFE seat and washers.



Curva presión / temperatura:



| | | | |
|----|----------------------|---------------|-------|
| 17 | Tope pasador | Stop Pin | S.S |
| 16 | Bloqueo | Lock | 201 |
| 15 | Tuerca | Nut | A2-70 |
| 14 | Arandela | Washer | S.S |
| 13 | Manguito | Handle | 201 |
| 12 | Arandela | Washer | S.S |
| 11 | Tuerca prensaestopas | Gland nut | 316 |
| 10 | Packing | Empaquetadura | 304 |
| 9 | Vástago | Stem | 316 |
| 8 | Tornillo | Bolt | A2-70 |
| 7 | Tuerca | Nut | A2-70 |
| 6 | Arandela | Washer | S.S |
| 5 | Cojinete de empuje | Thrust washer | 316 |
| 4 | Asiento | Seat | PTFE |
| 3 | Tapa | End cap | CF8M |
| 2 | Bola | Ball | 316 |
| 1 | Cuerpo | Body | CF8M |

| Código | DN | " | Φd | L | W | H | E | s | h | ISO 5211 | TORQUE | PESO / WEIGHT (Kg) |
|--------------|-----|--------|-----|-----|-----|-----|----|----|----|----------|--------|--------------------|
| 2323KTN3M001 | 8 | 1/4" | 8 | 70 | 135 | 75 | 14 | 9 | 10 | F03/F04 | - | 0.7 |
| 2323KTN3M002 | 10 | 3/8" | 10 | 70 | 135 | 75 | 14 | 9 | 10 | F03/F04 | - | 0.7 |
| 2323KTN3M003 | 15 | 1/2" | 15 | 70 | 130 | 70 | 14 | 9 | 10 | F03/F04 | 5 | 0.635 |
| 2323KTN3M004 | 20 | 3/4" | 20 | 80 | 130 | 80 | 18 | 9 | 10 | F03/F04 | 7 | 0.87 |
| 2323KTN3M005 | 25 | 1" | 25 | 90 | 150 | 90 | 18 | 11 | 12 | F04/F05 | 10 | 1.1 |
| 2323KTN3M006 | 32 | 1 1/4" | 32 | 102 | 150 | 95 | 20 | 11 | 12 | F04/F05 | 16 | 1.83 |
| 2323KTN3M007 | 40 | 1 1/2" | 38 | 115 | 190 | 105 | 21 | 14 | 16 | F05/F07 | 22 | 2.26 |
| 2323KTN3M008 | 50 | 2" | 49 | 137 | 190 | 112 | 24 | 14 | 16 | F05/F07 | 27 | 3.47 |
| 2323KTN3M009 | 65 | 2 1/2" | 65 | 167 | 275 | 165 | 37 | 17 | 19 | F07/F10 | 49 | 7.92 |
| 2323KTN3M010 | 80 | 3" | 80 | 206 | 275 | 174 | 39 | 17 | 19 | F07/F10 | 83 | 11.55 |
| 2323KTN3M011 | 100 | 4" | 100 | 265 | 310 | 184 | 56 | 19 | 21 | F07/F10 | 115 | 19.05 |