



CE EAC
No. 08190322KTN.UU45

KTN
Kara Technology News®

VÁLVULA DE MARIPOSA WAFER ASIENTO PTFE

DN 40 - 300 | PN16/10

Agua, Agua de Mar, Vapor, Ácidos diluidos, Petróleo

WAFER BUTTERFLY VALVE PTFE SEAT

DN 40 - 300 | PN16/10

Water, Seawater, Steam, Diluted acids, Oil & gas



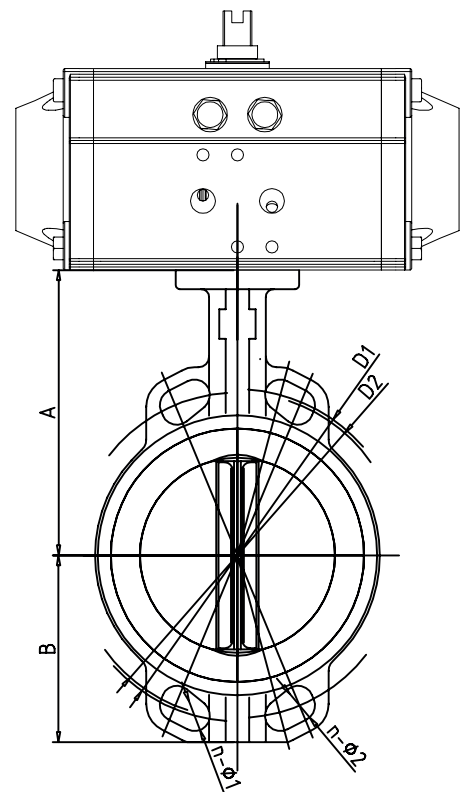
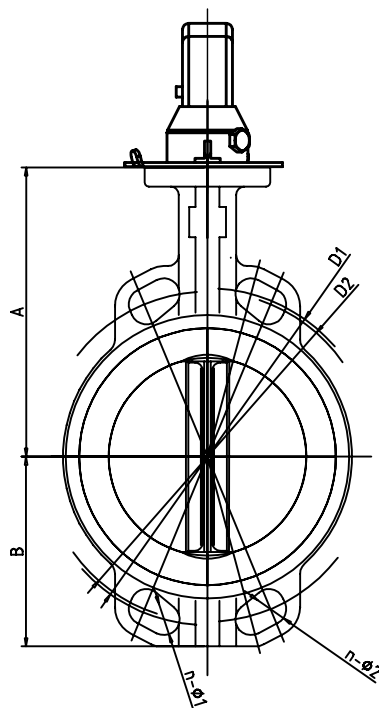
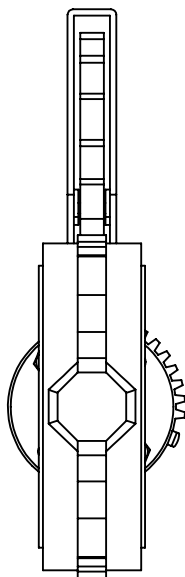
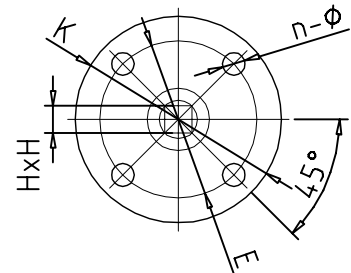
FIG.

266IT



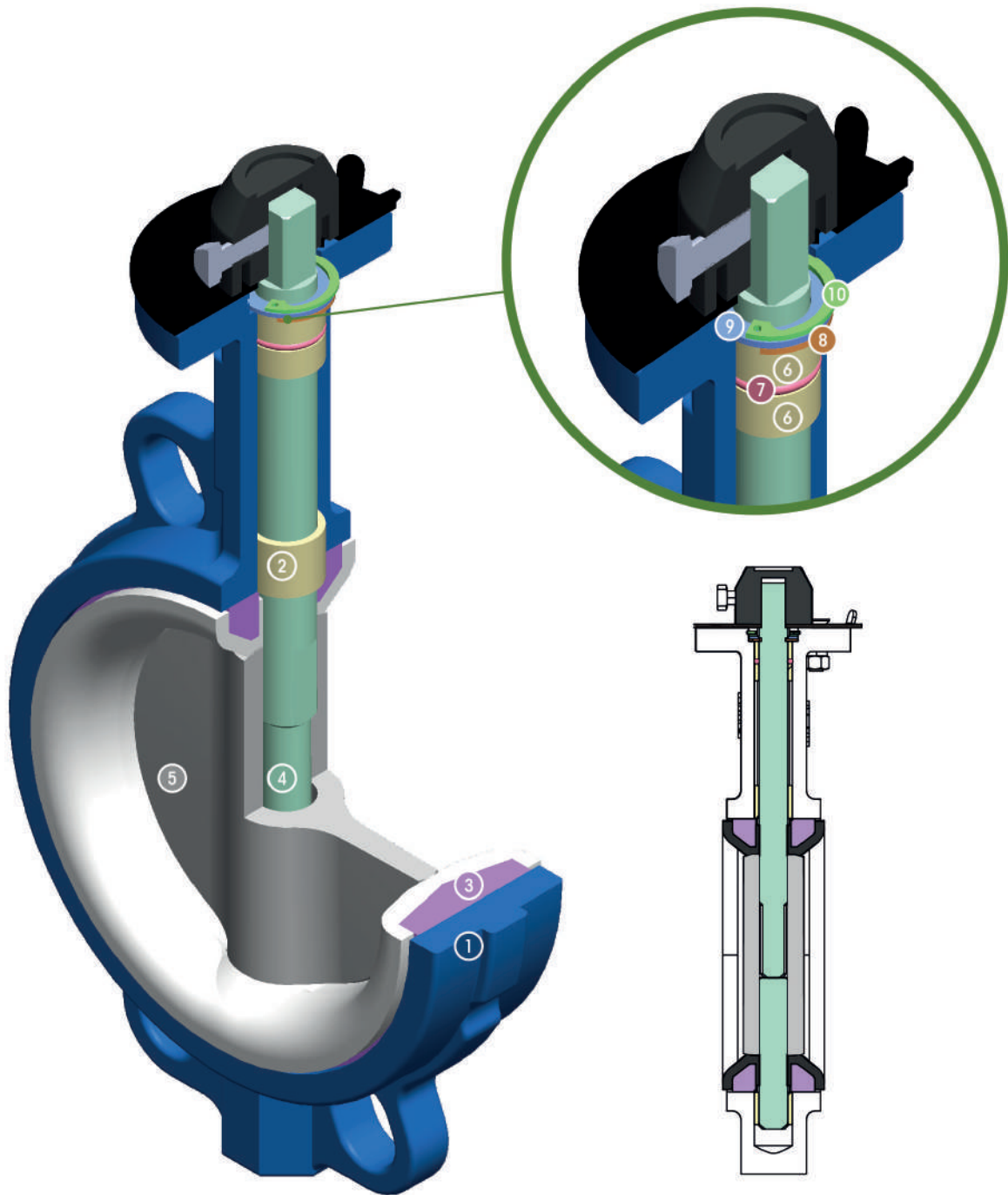
DISEÑO / DESIGN	EN593
CARA A CARA / FACE TO FACE	EN558-1
NORMA BRIDAS / FLANGED ENDS	EN1092-2PN10/16
TEST	EN12266-1
MAX. TEMP	-35 + 200°C
PRESIÓN / PRESSURE	PN 10/16
MEDIO / MEDIUM	Ácidos, alcalinos, sales, petróleo / Acid, Alkali, Salt, Oil & gas

TOP FLANGE



DN	A	B	C	Ø 2	K	E	N-Ø	PN10/16		JIS10K		HxH	ISO 5211	PAR DE APRIETE OPENING TORQUE (PN10/16)	PESO / WEIGHT (Kg)
								D1	N-Ø1	D2	N-Ø2				
40	120	65	33	12.6	65	50	4-7	110	4-19	105	4-19	9x9	F05	19	-
50	140	80	43	12.6	90	70	4-7	125	4-19	120	4-19	9x9	F05	25	2.8
65	150	89	46	12.6	90	70	4-7	145	4-19	140	4-19	9x9	F05	35	3.21
80	158	95	46	12.6	90	70	4-7	160	8-19	150	8-19	9x9	F05	45	3.63
100	176	114	52	15.77	90	70	4-10	180	8-19	175	8-19	11X11	F07	75	6.17
125	190	127	56	18.92	90	70	4-10	210	8-19	210	8-23	14X14	F07	120	8.77
150	212	139	56	18.92	90	70	4-10	240	8-23	240	8-23	14X14	F07	160	9.81
200	236	174	60	22.10	125	102	4-12	295	8/12-23	290	12-23	17X17	F10	320	15.78
250	265	203	68	28.45	125	102	4-12	350/355	12-23/28	355	12-25	22X22	F10	460	24.32
300*	305	242	78	31.60	125	102	4-12	400/410	12-23/28	400	16-25	22X22	F10	650	33.6

* Es necesario un reductor manual / reductor gear box required



Nº	PIEZA / DESIGNATION	MATERIAL	PZ/QTY	Nº	PIEZA / DESIGNATION	MATERIAL	PZ/QTY
1	Cuerpo / Body	EN1561 EN-GJL-200	1	6	Estopada / Short bushing	FRP	2
2	Casquillo Guía / Long Bushing	FRP	2	7	Junta Tórica / O-Ring	NBR	1
3	Pistón (asiento) / Liner (Seat)	PTFE	1	8	Casquillo / Half ring	SS	1
4	Eje / Shaft	SS410	2	9	Junta / Gasket	SS	1
5	Disc	CF8M	1	10	Resorte superior / Snap Ring	SK7	1