

VÁLVULA DE RETENCIÓN CON EXTREMOS SOLDABLES

Cuerpo de acero carbono forjado, clase 800

CHECK VALVE WITH WELDABLE ENDS

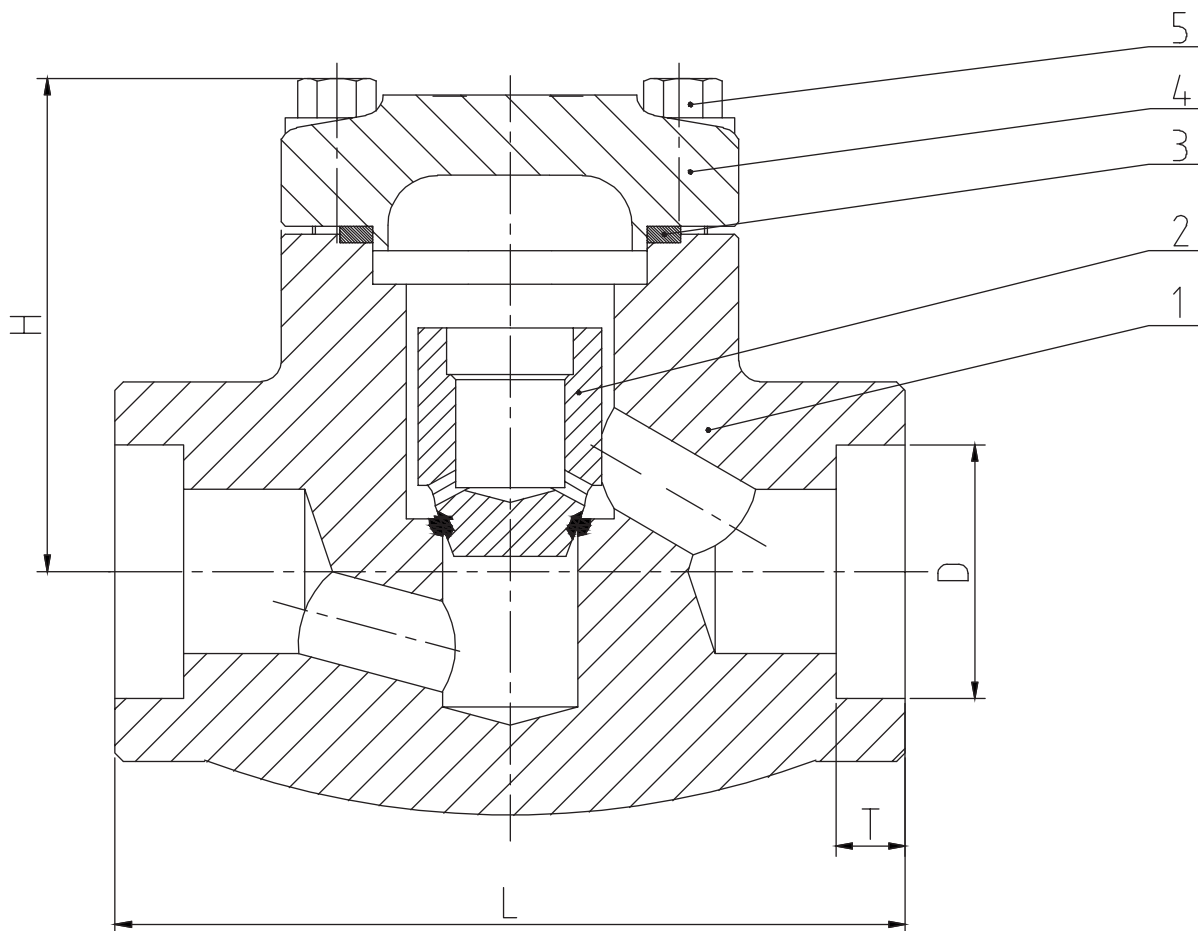
Forged carbon steel body, class 800



FIG.
544

| | |
|------------------------------------------------------------|-------------------------------------------|
| DISEÑO / DESIGN | API 602 |
| CARA A CARA / FACE TO FACE | ANSI B16.10 |
| DIMENSIONES EXTREMOS SOLDABLES WELDABLE ENDS DIMENSIONS | ANSI B16.11 |
| TEST | API598 |
| MAX. TEMP | -29 + 425°C |
| MEDIO / MEDIUM | Agua, vapor aceite / Water, steam, oil |

| DN | " | L | H | D | T | PESO / WEIGHT (Kg) |
|----|-------|-----|-----|------|------|--------------------|
| 15 | 1/2 | 79 | 61 | 21.8 | 9.6 | 1.1 |
| 20 | 3/4 | 92 | 61 | 27.1 | 12.7 | 1.2 |
| 25 | 1 | 111 | 78 | 33.8 | 12.7 | 2.3 |
| 40 | 1 1/2 | 152 | 84 | 48.7 | 12.7 | 5.5 |
| 50 | 2 | 172 | 118 | 61.2 | 15.9 | 7.5 |



| | | | | | |
|----|---------------------|--------------|----|---------------------|----------|
| 3 | Junta / Gasket | 304+Graphite | | | |
| 2 | Disco / Disco | 13Cr+STL | 5 | Tornillo / Bolt | B7 |
| 1 | Cuerpo / Body | A105+STL | 4 | Bonete / Bonnet | A105 |
| Nº | PIEZA / DESIGNATION | MATERIAL | Nº | PIEZA / DESIGNATION | MATERIAL |