

## VÁLVULA DE RETENCIÓN DOBLE DISCO WAFER

DN50-300 (2" - 12")

Disco de acero inoxidable, PN10/16

## DOUBLE PLATE CHECK VALVE WAFER

DN50-300 (2" - 12")

Stainless steel disc, PN10/16

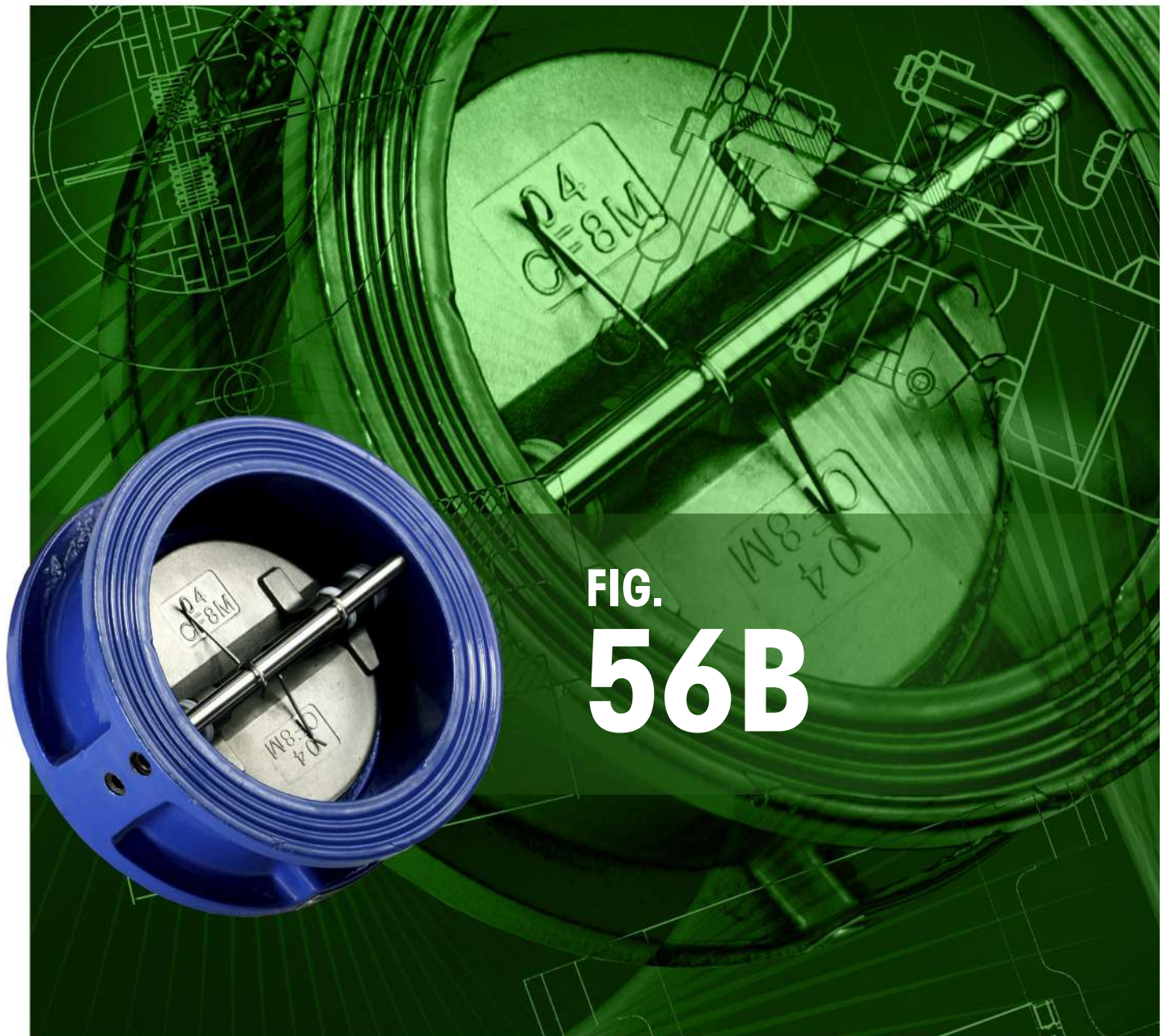
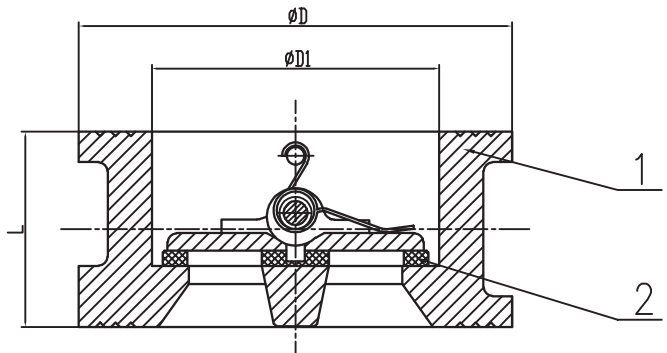
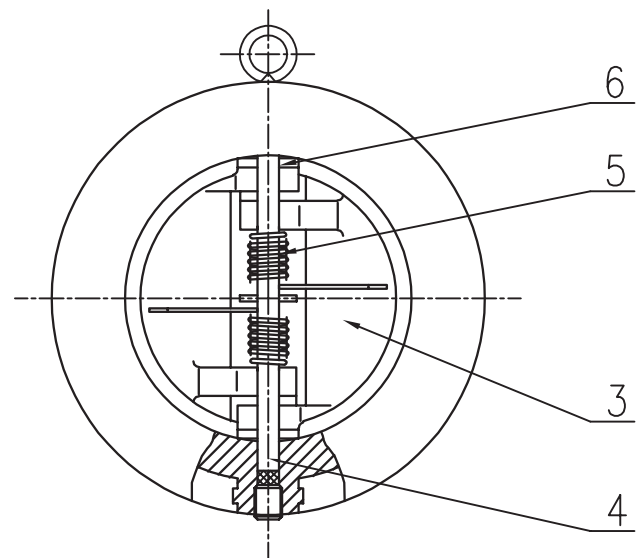
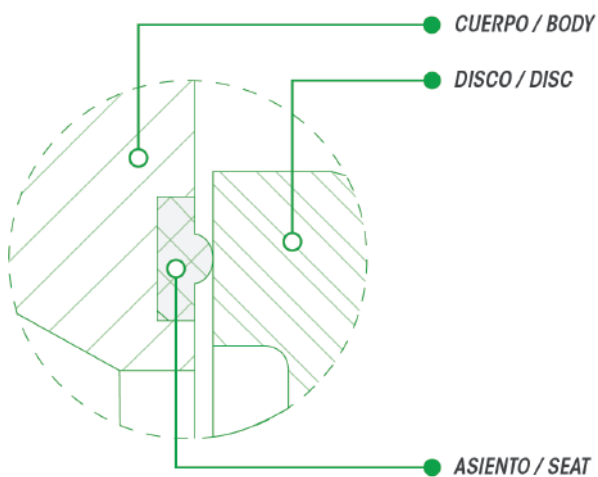


FIG.  
**56B**

|                 |                                           |
|-----------------|-------------------------------------------|
| DISEÑO / DESIGN | WAFER                                     |
| FLANGED ENDS    | PN10/16                                   |
| MAX. TEMP       | -10 + 120°C                               |
| MEDIO / MEDIUM  | Agua, vapor aceite /<br>Water, steam, oil |



DETALLES DEL ASIENTO  
SEAT DETAILS



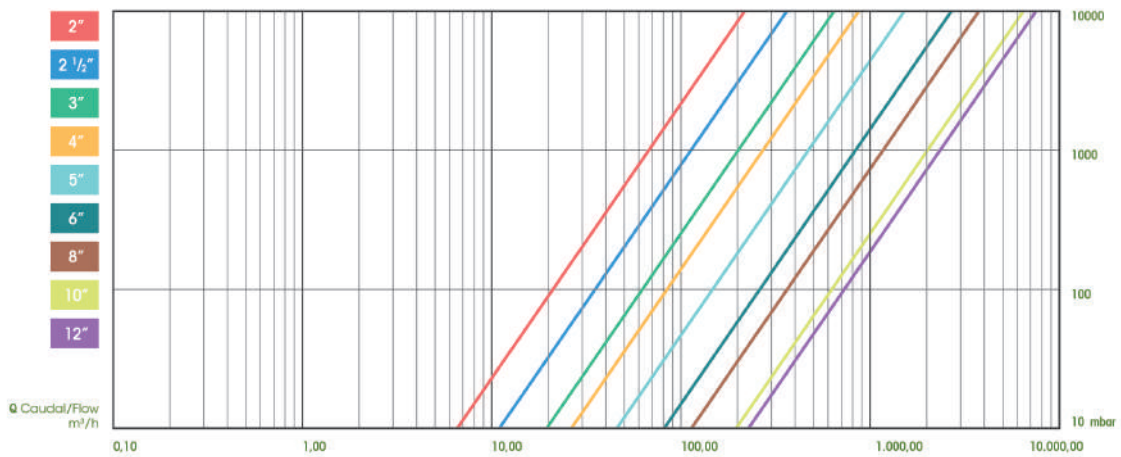
| DN  | "     | Ø D | Ø D1 | L   | PESO / WEIGHT (Kg) |
|-----|-------|-----|------|-----|--------------------|
| 50  | 2     | 107 | 65   | 43  | 1.52               |
| 65  | 2 1/2 | 127 | 80   | 46  | 2.12               |
| 80  | 3     | 142 | 94   | 64  | 3.12               |
| 100 | 4     | 162 | 117  | 64  | 4.47               |
| 125 | 5     | 192 | 145  | 70  | 5.72               |
| 150 | 6     | 218 | 170  | 76  | 8.7                |
| 200 | 8     | 273 | 224  | 89  | 14.02              |
| 250 | 10    | 329 | 265  | 114 | 25.4               |
| 300 | 12    | 384 | 310  | 114 | 36.45              |

|    |                     |           |    |                      |          |
|----|---------------------|-----------|----|----------------------|----------|
| 3  | Disco / Disc        | CF8M      | 6  | Cojinetes / Bearings | PTFE     |
| 2  | Asiento / Seat      | EPDM      | 5  | Muelle / Spring      | SS304    |
| 1  | Cuerpo / Body       | DI (GG25) | 4  | Eje / Shaft          | SS410    |
| Nº | PIEZA / DESIGNATION | MATERIAL  | Nº | PIEZA / DESIGNATION  | MATERIAL |

**PRESIÓN DE APERTURA**  
**OPENING PRESSURE (mbar)**

| Flujo / Flow | Aplicación / Aplicacion     | Presión / Pressure | 2"   | 2 1/2" | 3"   | 4"   | 5"   | 6"   | 8"   | 10"  | 12"  |
|--------------|-----------------------------|--------------------|------|--------|------|------|------|------|------|------|------|
| ↑            | con muelle / with spring    | mbar               | 22,8 | 22,8   | 22,8 | 24   | 24,5 | 24,7 | 25,4 | 26,6 | 27,3 |
| →            | con muelle / with spring    | mbar               | 22,4 | 22,4   | 22,4 | 23,5 | 24   | 24,1 | 24,7 | 25,8 | 26,4 |
| ↓            | con muelle / with spring    | mbar               | 22   | 22     | 22   | 23   | 23,5 | 23,5 | 24   | 25   | 25,5 |
| ↑            | sin muelle / without spring | mbar               | 0,4  | 0,4    | 0,4  | 0,5  | 0,4  | 0,6  | 0,7  | 0,8  | 0,9  |

**DIAGRAMA PERDIDA DE CARGA VÁLVULA DE RETENCIÓN 56B**  
**HEATLOSS CHART CHECK VALVE 56B**



**CURVA PRESIÓN DE TEMPERATURA VÁLVULA DE RETENCIÓN 56B**  
**PRESSURE TEMPERATURE RATING CHECK VALVE 56B**

