



WRAS
Water Regulations Advisory Scheme®



VÁLVULAS DE MARIPOSA
BUTTERFLY VALVES

CONEXIONES

WAFER
LUG
CLAMP

MATERIALES

ACERO INOXIDABLE AISI 316/316L
HIERRO FORJADO GG25
BRONCE

ENDINGS

WAFER
LUG
CLAMP

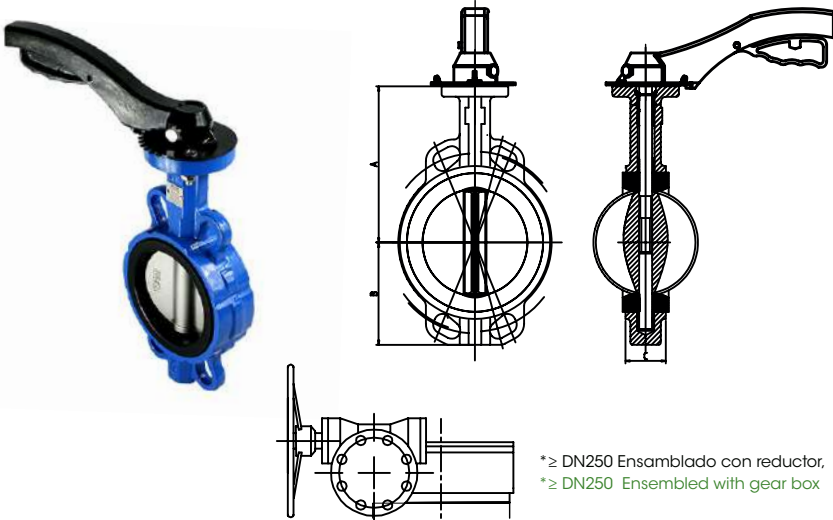
MATERIALS

STAINLESS STEEL AISI 316 / 316L
FORGED IRON GG25
BRONZE



FIGURE **266IE**

VÁLVULA DE MARIPOSA ASIENTO DE EPDM (WRAS) PN10/16 TIPO WAFER
EPDM (WRAS) SEAT PN10/16 BUTTERFLY VALVE WAFER TYPE



*≥ DN250 Ensamblado con reductor.
*≥ DN250 Ensembled with gear box

| COD. | DN | A | B | C |
|-------------|------|-----|-----|-----|
| 2626KTNW002 | 40 | 120 | 65 | 33 |
| 2626KTNW003 | 50 | 140 | 80 | 43 |
| 2626KTNW004 | 65 | 150 | 89 | 46 |
| 2626KTNW005 | 80 | 158 | 95 | 46 |
| 2626KTNW006 | 100 | 176 | 114 | 52 |
| 2626KTNW007 | 125 | 190 | 127 | 56 |
| 2626KTNW008 | 150 | 212 | 139 | 56 |
| 2626KTNW009 | 200* | 236 | 174 | 60 |
| 2626KTNW010 | 250* | 265 | 203 | 68 |
| 2626KTNW011 | 300* | 305 | 242 | 78 |
| 2626KTNW012 | 350* | 368 | 267 | 78 |
| 2626KTNW013 | 400* | 400 | 309 | 102 |
| 2626KTNW014 | 450* | 422 | 340 | 114 |
| 2626KTNW015 | 500* | 440 | 362 | 127 |

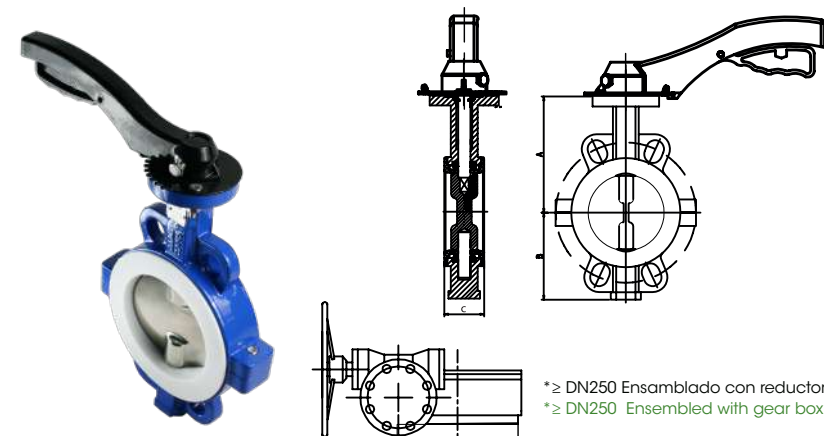
Cuerpo: Fundición gris GG20. **Asiento:** EPDM (WRAS). **Disco:** CF8M. PN10/16. **Temperatura de trabajo:** -35°C hasta 130°C. Indicada para medios agua potable, alcalinos y sales.

Body: Cast iron GG20. **Seat:** EPDM (WRAS). **Disc:** CF8M. PN10/16. **Working temperature:** -35°C to 130°C. Suitable for drink water, alkaline and salts.



FIGURE **266IT**

VÁLVULA DE MARIPOSA ASIENTO DE PTFE PN10/16 TIPO WAFER
PTFE SEAT PN10/16 BUTTERFLY VALVE WAFER TYPE



*≥ DN250 Ensamblado con reductor.
*≥ DN250 Ensembled with gear box

| COD. | DN | A | B | C |
|-------------|------|-----|-----|----|
| 2626KTNW102 | 40 | 120 | 65 | 33 |
| 2626KTNW103 | 50 | 140 | 75 | 43 |
| 2626KTNW104 | 65 | 150 | 82 | 46 |
| 2626KTNW105 | 80 | 160 | 90 | 46 |
| 2626KTNW106 | 100 | 178 | 118 | 52 |
| 2626KTNW107 | 125 | 190 | 131 | 56 |
| 2626KTNW108 | 150 | 200 | 145 | 56 |
| 2626KTNW109 | 200 | 240 | 173 | 60 |
| 2626KTNW110 | 250* | 273 | 208 | 68 |
| 2626KTNW111 | 300* | 310 | 244 | 78 |

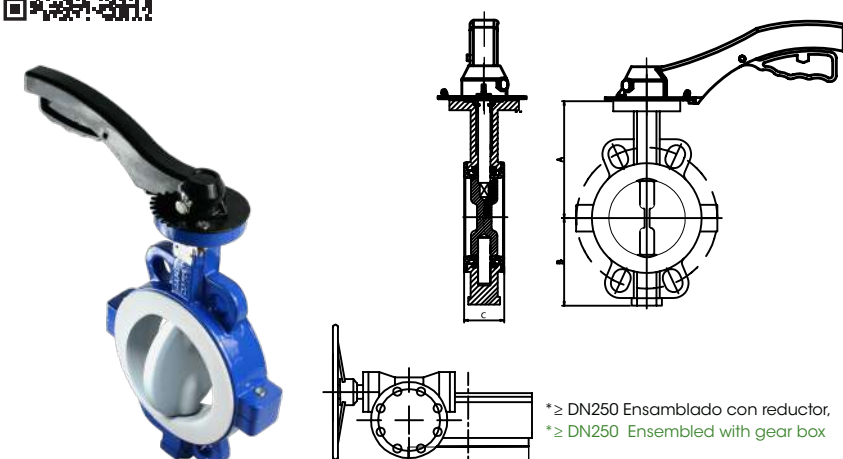
Cuerpo: Fundición gris GG20. **Asiento:** PTFE. **Disco:** CF8M. PN10/16. **Temperatura de trabajo:** -35°C hasta 200°C. Indicada para medios ácidos corrosivos, alcalinos, sales y petróleo.

Body: Cast iron GG20. **Seat:** PTFE. **Disc:** CF8M. PN10/16. **Working temperature:** -35°C to 200°C. Suitable for corrosive acid, alkaline, salt and petroleum media.



FIGURE **266ITT**

VÁLVULA DE MARIPOSA ASIENTO DE PTFE PN10/16 TIPO WAFER Y DISCO PFA
PFA DISC PTFE SEAT PN10/16 BUTTERFLY VALVE WAFER TYPE



*≥ DN250 Ensamblado con reductor.
*≥ DN250 Ensembled with gear box

| COD. | DN | A | B | C |
|----------------|------|-----|-----|----|
| 2626KTNWPFA040 | 40 | 120 | 65 | 33 |
| 2626KTNWPFA050 | 50 | 140 | 75 | 43 |
| 2626KTNWPFA065 | 65 | 150 | 82 | 46 |
| 2626KTNWPFA080 | 80 | 160 | 90 | 46 |
| 2626KTNWPFA100 | 100 | 178 | 118 | 52 |
| 2626KTNWPFA125 | 125 | 190 | 131 | 56 |
| 2626KTNWPFA150 | 150 | 200 | 145 | 56 |
| 2626KTNWPFA200 | 200 | 240 | 173 | 60 |
| 2626KTNWPFA250 | 250* | 237 | 208 | 68 |
| 2626KTNWPFA300 | 300* | 310 | 244 | 78 |

Cuerpo: Fundición gris GG20. **Asiento:** PTFE. **Disco:** CF8M + PFA. PN10/16. **Temperatura de trabajo:** -35°C hasta 200°C. Indicada para medios alimenticios, ácidos corrosivos, alcalinos, sales y petróleo.

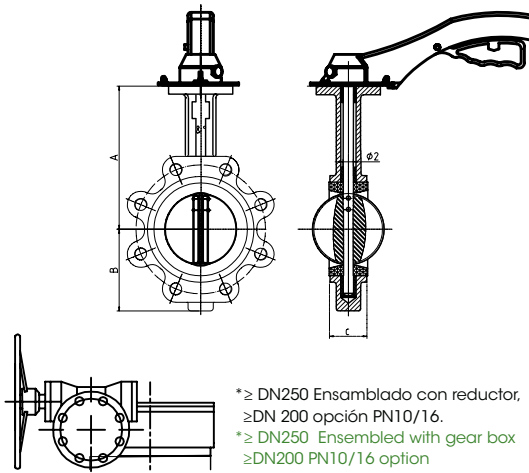
Body: Cast iron GG20. **Seat:** PTFE. **Disc:** CF8M + PFA. PN10/16. **Working temperature:** -35°C to 200°C. Suitable for food, acid corrosive, alkaline, salt and petroleum media.



FIGURE

276IE

VÁLVULA DE MARIPOSA ASIENTO DE EPDM (WRAS) PN10/16 TIPO LUG
EPDM (WRAS) SEAT PN10/16 BUTTERFLY VALVE LUG TYPE



* ≥ DN250 Ensamblado con reductor,
≥DN 200 opción PN10/16.
* ≥ DN250 Ensembled with gear box
≥DN200 PN10/16 option

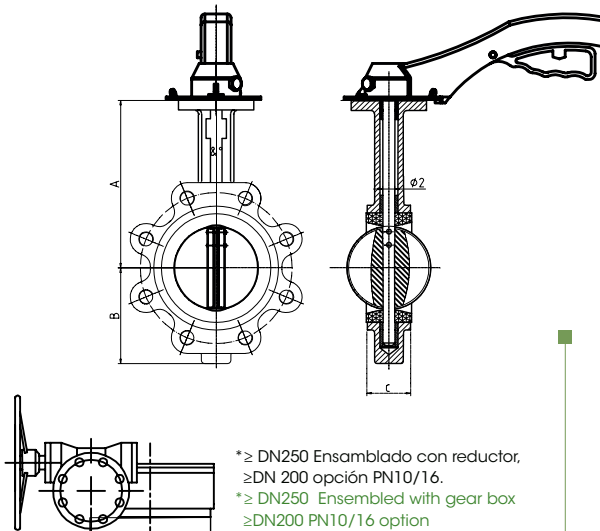
| COD. | DN | A | B | C |
|-------------|------|-----|-----|----|
| 2626KTNL002 | 40 | 120 | 65 | 33 |
| 2626KTNL003 | 50 | 140 | 80 | 43 |
| 2626KTNL004 | 65 | 150 | 89 | 46 |
| 2626KTNL005 | 80 | 158 | 95 | 46 |
| 2626KTNL006 | 100 | 176 | 114 | 52 |
| 2626KTNL007 | 125 | 190 | 127 | 56 |
| 2626KTNL008 | 150 | 212 | 139 | 56 |
| 2626KTNL009 | 200 | 236 | 174 | 60 |
| 2626KTNL010 | 250* | 265 | 203 | 68 |
| 2626KTNL011 | 300* | 305 | 242 | 78 |

Cuerpo: Fundición gris GG40. **Asiento:** EPDM (WRAS). **Disco:** CF8M. PN10/16. **Temperatura de trabajo:** -35°C hasta 130°C. Indicada para medios agua potable, alcalinos y sales.

Body: Cast iron GG40. **Seat:** EPDM (WRAS). **Disc:** CF8M. PN10/16. **Working temperature:** -35°C to 130°C. Suitable for drink water, alkaline and salts.

FIG
276IT

VÁLVULA DE MARIPOSA ASIENTO DE PTFE PN10/16 TIPO LUG
PTFE SEAT PN10/16 BUTTERFLY VALVE LUG TYPE



* ≥ DN250 Ensamblado con reductor,
≥DN 200 opción PN10/16.
* ≥ DN250 Ensembled with gear box
≥DN200 PN10/16 option

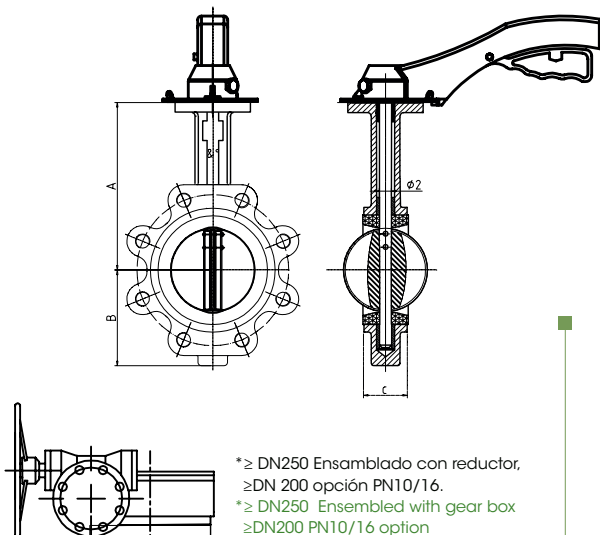
| COD. | DN | A | B | C |
|-------------|------|-----|-----|----|
| 2626KTNL102 | 40 | 120 | 65 | 33 |
| 2626KTNL103 | 50 | 140 | 80 | 43 |
| 2626KTNL104 | 65 | 150 | 89 | 46 |
| 2626KTNL105 | 80 | 158 | 95 | 46 |
| 2626KTNL106 | 100 | 176 | 114 | 52 |
| 2626KTNL107 | 125 | 190 | 127 | 56 |
| 2626KTNL108 | 150 | 212 | 139 | 56 |
| 2626KTNL109 | 200 | 236 | 174 | 60 |
| 2626KTNL110 | 250* | 265 | 203 | 68 |
| 2626KTNL111 | 300* | 305 | 242 | 78 |

Cuerpo: Fundición gris GG40. **Asiento:** PTFE. **Disco:** CF8M. PN10/16. **Temperatura de trabajo:** -35°C hasta 200°C. Indicada para medios ácidos corrosivos, alcalinos, sales y petróleo.

Body: Cast iron GG40. **Seat:** PTFE. **Disc:** CF8M. PN10/16. **Working temperature:** -35°C to 200°C. Suitable for corrosive acid, alkaline, salt and petroleum media.

FIG
276ITT

VÁLVULA DE MARIPOSA ASIENTO DE PTFE PN10/16 TIPO LUG Y DISCO PFA
PFA DISC PTFE SEAT PN10/16 BUTTERFLY VALVE LUG TYPE



* ≥ DN250 Ensamblado con reductor,
≥DN 200 opción PN10/16.
* ≥ DN250 Ensembled with gear box
≥DN200 PN10/16 option

| COD. | DN | A | B | C |
|----------------|------|-----|-----|----|
| 2626KTNLPFA040 | 40 | 120 | 65 | 33 |
| 2626KTNLPFA050 | 50 | 140 | 80 | 43 |
| 2626KTNLPFA065 | 65 | 150 | 89 | 46 |
| 2626KTNLPFA080 | 80 | 158 | 95 | 46 |
| 2626KTNLPFA100 | 100 | 176 | 114 | 52 |
| 2626KTNLPFA125 | 125 | 190 | 127 | 56 |
| 2626KTNLPFA150 | 150 | 212 | 139 | 56 |
| 2626KTNLPFA200 | 200 | 236 | 174 | 60 |
| 2626KTNLPFA250 | 250* | 265 | 203 | 68 |
| 2626KTNLPFA300 | 300* | 305 | 242 | 78 |

Cuerpo: Fundición gris GG40. **Asiento:** PTFE. **Disco:** CF8M+PFA. PN10/16. **Temperatura de trabajo:** -35°C hasta 200°C. Indicada para medios alimenticios, ácidos corrosivos, alcalinos, sales y petróleo.

Body: Cast iron GG40. **Seat:** PTFE. **Disc:** CF8M+PFA. PN10/16. **Working temperature:** -35°C to 200°C. Suitable for food, acid corrosive, alkaline, salt and petroleum media.



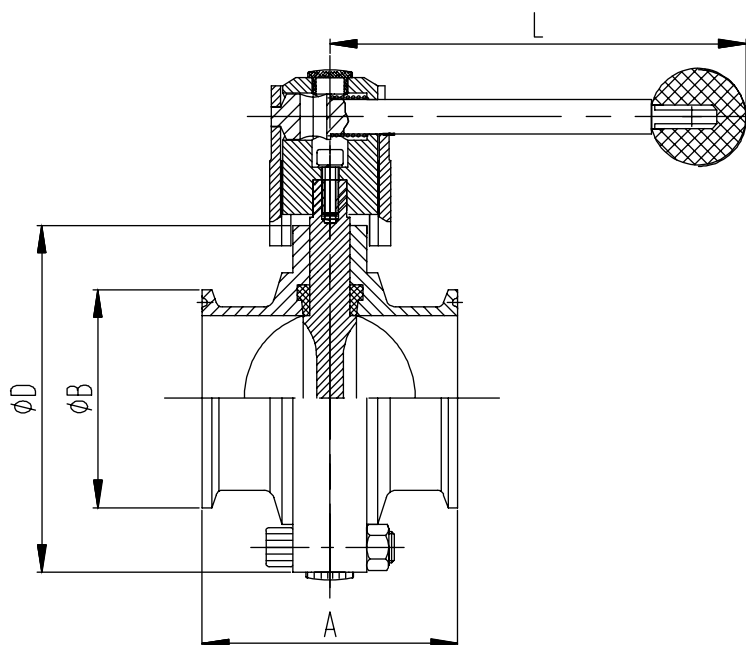
FIGURE

291M

VÁLVULA DE MARIPOSA SANITARIA EN ACERO INOXIDABLE PULIDO Y EXTREMOS CLAMP
POLISHED STAINLESS STEEL SANITARY BUTTERFLY VALVE WITH CLAMP ENDS



| COD. | DN | A | B | D | L |
|------------------|-----|-----|------|-----|-----|
| 2626KTNCLEPDM015 | 15 | 66 | 25.4 | 78 | 140 |
| 2626KTNCLEPDM020 | 20 | 66 | 25.4 | 78 | 140 |
| 2626KTNCLEPDM025 | 25 | 66 | 50.5 | 78 | 140 |
| 2626KTNCLEPDM040 | 40 | 70 | 50.5 | 86 | 140 |
| 2626KTNCLEPDM050 | 50 | 76 | 64 | 100 | 150 |
| 2626KTNCLEPDM065 | 65 | 80 | 77.5 | 115 | 160 |
| 2626KTNCLEPDM080 | 80 | 84 | 91 | 128 | 160 |
| 2626KTNCLEPDM100 | 100 | 104 | 119 | 154 | 160 |



■ **Cuerpo:** SS 316L pulido. **Asiento:** EPDM. **Disco:** 316L. PN10. **Temperatura de trabajo máxima:** +120°C. Extremos clamp para una limpieza y desmontaje sencillos, manguito con bloqueo. Indicada para la industria alimentaria, química, petroquímica y farmacéutica.

Body: SS Polished 316L. **Seat:** EPDM. **Disc:** 316L. PN10. **Working temperature:** +120°C. Quick release clamp ends for easy cleaning, pull-trigger locking mechanism, made for chemical, petrochemical, food and pharmaceutical industry.